

# MARTIN® TRACKER

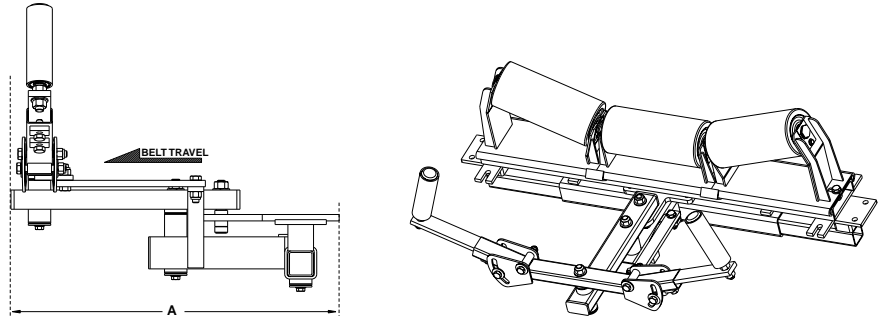
## Belt Tracking System

The MARTIN® TRACKER Conveyor Belt Tracking System provides immediate, continuous precision adjustment of wandering conveyor belts. The MARTIN® TRACKER Belt Tracking System works where other belt training devices fail to reduce edge damage, prevent spillage, and extend belt life.

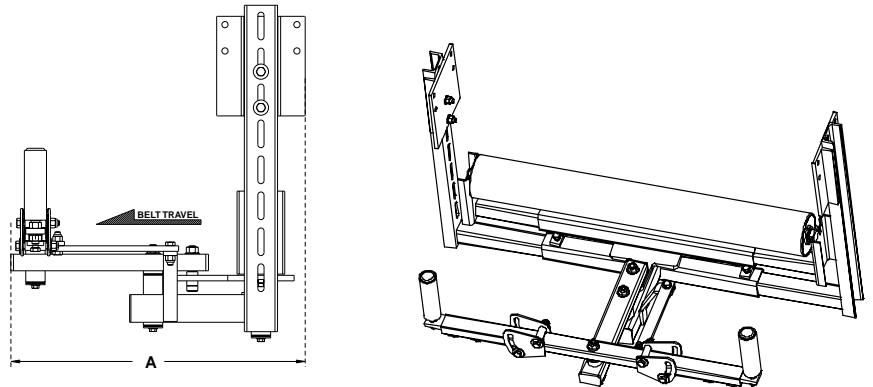
Available in Lower Units for the conveyor's return side and Upper Units for installation on the carrying side of the conveyor, MARTIN® TRACKER units are available in three models to match application conditions.

The MARTIN® TRACKER System is protected by issued and pending U.S. and international patents.

MARTIN® TRACKER Standard Upper Unit Assembly\*\*



MARTIN® TRACKER Standard Lower Unit Assembly\*\*



### Dimensions (A)

Duty Rating	Upper Unit		Lower Unit	
	in.	mm	in.	mm
Standard	25.61	650	26.81	680
Heavy-Duty	32.59	828	31.34	796
Extra Heavy Duty	32.55	828	33.30	845

\*\* Rollers shown for reference only and are not included with order.

**INSTALLATION GUIDELINES:** To keep the belt centered in the loading zone, Martin Engineering recommends the installation of one MARTIN® TRACKER Lower Unit on the conveyor's return side at a point approximately five times the belt width before the belt reaches the tail pulley. A MARTIN® TRACKER Upper Unit should be installed after the load zone on belts wider than 42 inches (1000mm). Additional units may be needed to keep the belt tracking perfectly.

**NOTES:** The steering roll on the MARTIN® TRACKER must be supplied by the customer. Typically the steering roll is an existing customer roller that was removed from the conveyor to allow installation of the belt tracking system. The MARTIN® TRACKER Units work best with a rubber or rubber-covered steering roll.

This MARTIN® TRACKER System is not suitable for reversing conveyors or belts with substantial rollback. For reversing applications contact Martin Engineering.

For more information, contact your Martin Engineering representative.

### Duty Rating

#### Standard Duty

The MARTIN® TRACKER Standard Duty Tracking System is designed for applications under typical industrial material handling conditions.

#### Heavy-Duty

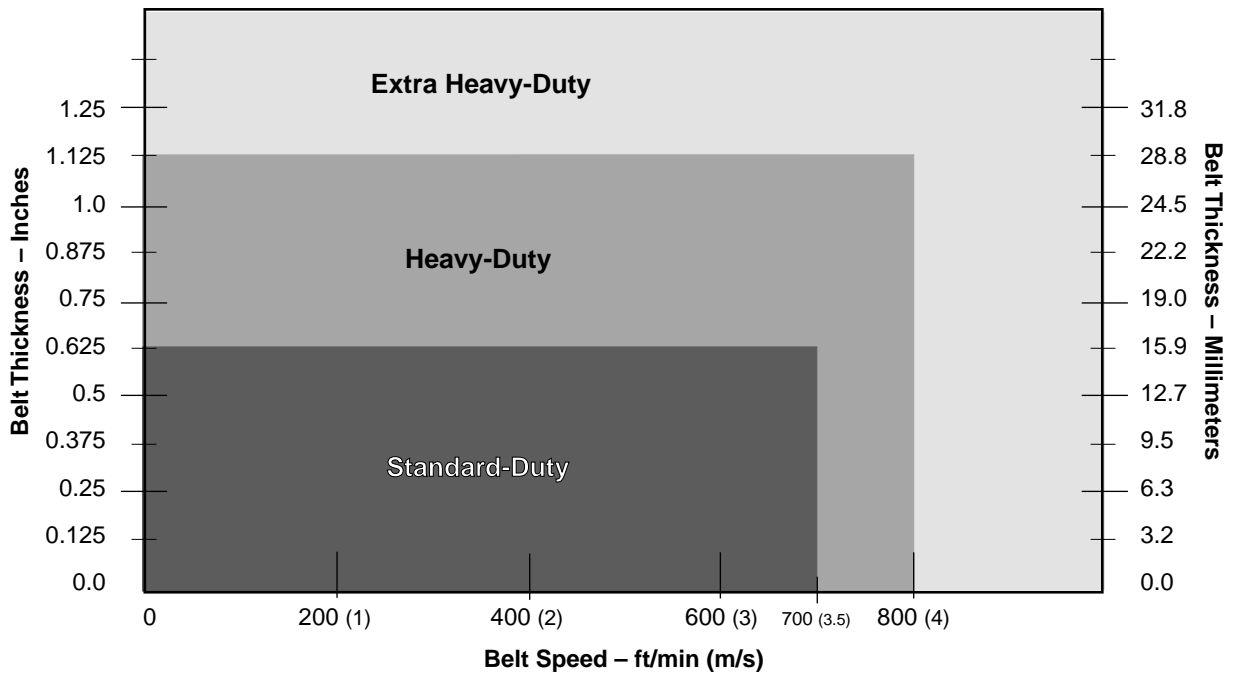
The MARTIN® TRACKER Heavy-Duty Tracking System is designed to withstand the stress associated with wider, thicker belts, moving at higher speeds and carrying heavier loads.

#### Extra Heavy Duty

The MARTIN® TRACKER Extra Heavy-Duty Tracking System is engineered to survive in the most rugged of applications.

# MARTIN® TRACKER Selection Guide

MARTIN® TRACKER Systems are available in three models to match the requirements of each application. Select the appropriate unit based on belt thickness and conveyor speed.



## Order Information

	Belt Width in. (mm)	Upper Unit		Lower Unit	
		P/N	Ship Weight lb (kg)	P/N	Ship Weight lb (kg)
Standard	18 (400-500)	37249-18USX	71 (32)	37249-18LSX	128 (58)
	24 (500-600)	37249-24USX	80 (36)	37249-24LSX	140 (63)
	30 (650-800)	37249-30USX	80 (36)	37249-30LSX	140 (63)
	36 (800-1000)	37249-36USX	82 (37)	37249-36LSX	143 (65)
	42 (1000-1200)	37249-42USX	91 (41)	37249-42LSX	156 (71)
	48 (1200-1400)	37249-48USX	91 (41)	37249-48LSX	156 (71)
	54 (1400-1600)	37249-54USX	92 (42)	37249-54LSX	156 (71)
Heavy-Duty	42 (1000-1200)	37249-42UHX	177 (80)	37249-42LHX	278 (126)
	48 (1200-1400)	37249-48UHX	177 (80)	37249-48LHX	278 (126)
	54 (1400-1600)	37249-54UHX	177 (80)	37249-54LHX	278 (126)
	60 (1600-1800)	37249-60UHX	207 (94)	37249-60LHX	313 (142)
	66 (1600-1800)	37249-66UHX	207 (94)	37249-66LHX	313 (142)
	72 (1800-2000)	37249-72UHX	207 (94)	37249-72LHX	313 (142)
Extra Heavy-Duty	54 (1200-1400)	37249-54UMX	250 (113)	37249-54LMX	423 (191)
	60 (1600-1800)	37249-60UMX	250 (113)	37249-60LMX	423 (191)
	66 (1600-1800)	37249-66UMX	250 (113)	37249-66LMX	423 (191)
	72 (1800-2000)	37249-72UMX	271 (123)	37249-72LMX	462 (209)
	84 (2000-2200)	37249-84UMX	271 (123)	37249-84LMX	462 (209)

## Part Number Nomenclature

P/N 37249-XX X X X  
A B C D

- A: Belt Width (in inches)
- B: Unit Type (Upper or Lower)
- C: Duty Rating
- D: Greasable Rolls
- Blank: Standard
- G: Greasable Sensing Rolls



We make your bulk materials handling cleaner, safer, and more productive.

Applying MARTIN® Expertise and Products to the unique needs of individual customers.



One Martin Place  
Neponset, IL 61345-9766 USA  
800-544-2947 or 309-594-2384  
FAX: 309-594-2432  
www.martin-eng.com